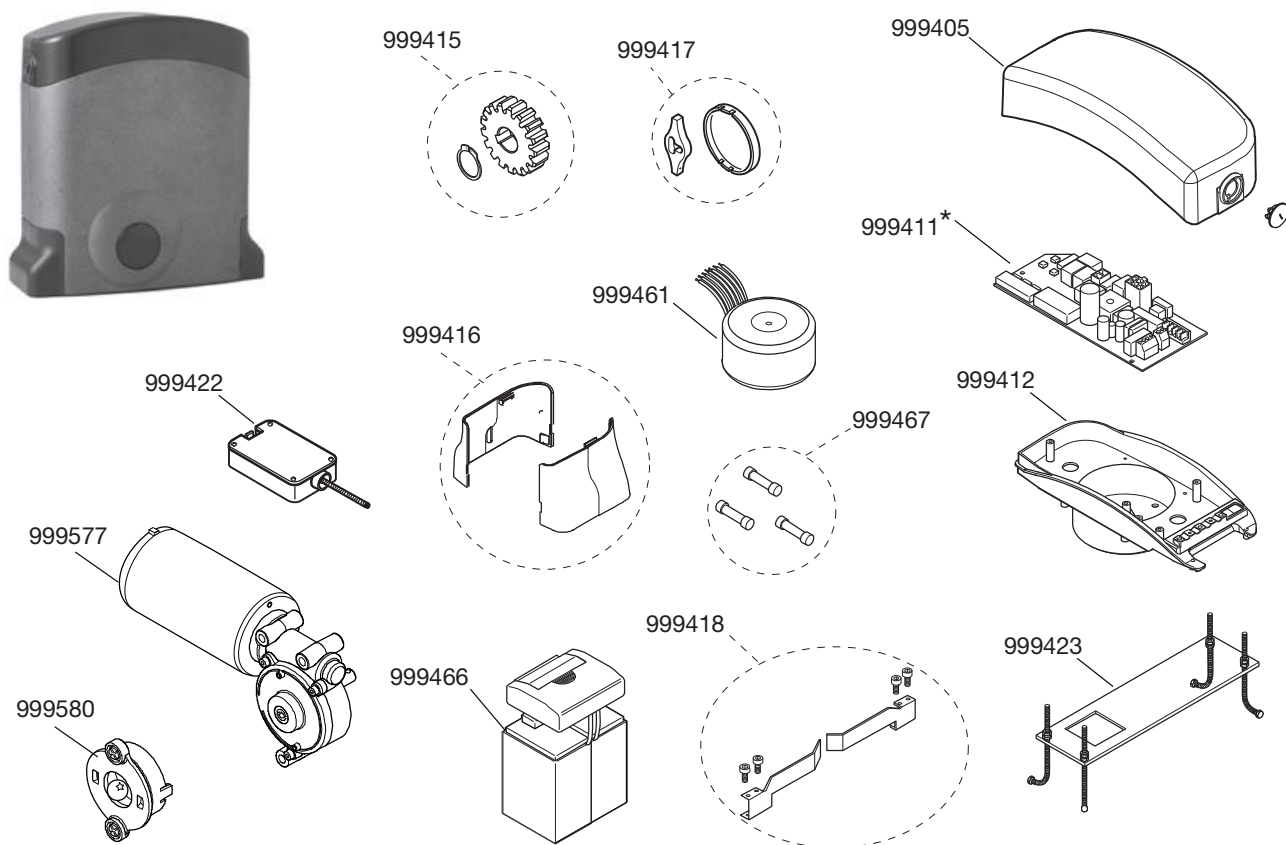


**CUSTOMER SERVICE**  
CARDIN ELETTRONICA

**SERIES SL - AUTOMATION FOR SLIDING GATES**

101/SL402401 - 101/SL402409  
101/SL40249F - 101/SL4024M9



\* Compatible with the battery charger and batteries BCC850N

| PART NR. | PCS | DESCRIPTION                               |
|----------|-----|---|
| 999405   | 1   | Upper cover                               |
| 999411   | 1   | Electronic card for SL40249F - SL402409 * |
| 999412   | 1   | Electronic card support well              |
| 999415   | 1   | Pinion                                    |
| 999416   | 1   | Side covers                               |
| 999417   | 1   | Manual release mechanism key + cover      |
| 999418   | 1   | Travel limit brackets                     |
| 999422   | 1   | Travel limit unit                         |
| 999423   | 1   | Motor base plate in metal                 |
| 999461   | 1   | Transformer ZUT100VA 02 (7 wires)         |
| 999466   | 1   | Lead batteries 12V x 2 2.2Ah + charger    |
| 999467   | 1   | Set of 20 fuses 1A - 1,6A - 10A           |
| 999577   | 1   | Motor unit                                |
| 999580   | 1   | Manual release unit                       |