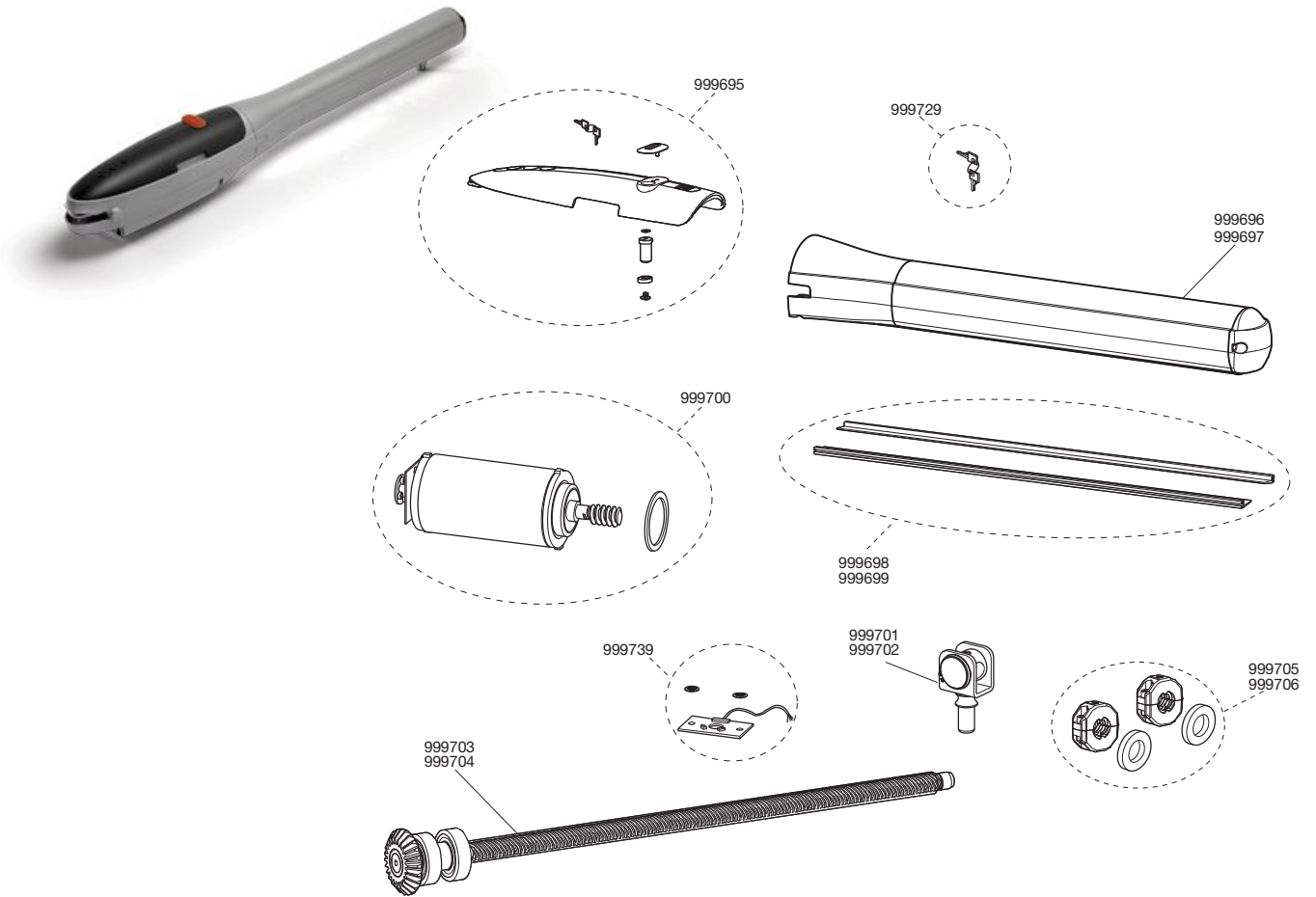


CUSTOMER SERVICE
CARDIN ELETTRONICA

SERIE BL - WORM SCREW AUTOMATION FOR HINGED GATES
200/BLEGOS - 200/BLESOL



| PART NR. | PCS | DESCRIPTION |
|----------|-----|----------------------------------------|
| 999695 | 1 | Release mechanism cover + keys |
| 999696 | 1 | Drive rod cover + end cap (BLEGOS) |
| 999697 | 1 | Drive rod cover + end cap (BLESOL) |
| 999698 | 1 | Worm screw rubber dust covers (BLEGOS) |
| 999699 | 1 | Worm screw rubber dust covers (BLESOL) |
| 999700 | 1 | Motor unit 24 Vdc |
| 999701 | 1 | Worm screw chamber (BLEGOS) |
| 999702 | 1 | Worm screw chamber (BLESOL) |
| 999703 | 1 | Worm screw drive rod (BLEGOS) |
| 999704 | 1 | Worm screw drive rod (BLESOL) |
| 999705 | 4 | Mechanical travel limits (BLEGOS) |
| 999706 | 4 | Mechanical travel limits (BLESOL) |
| 999729 | 1 | Manual release mechanism key |
| 999739 | 1 | Encoder |