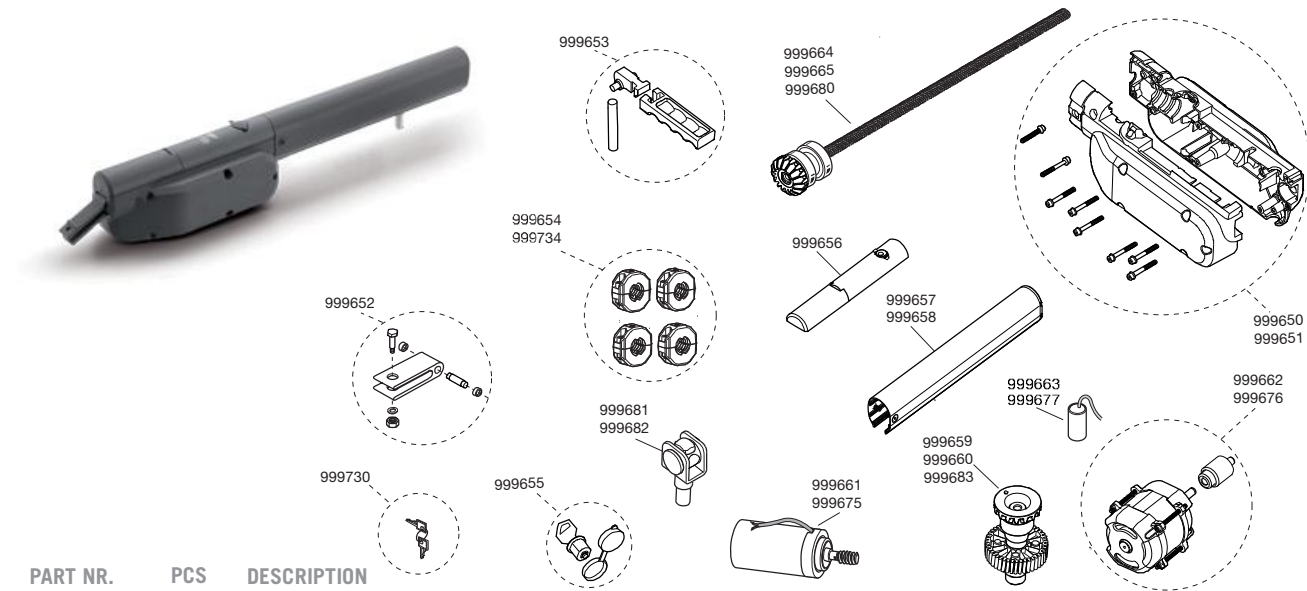


SERIE BL - WORM SCREW AUTOMATION FOR HINGED GATES

200/BLA24S - 200/BLA24L - 200/BLA24LREV

200/BLA230S - 200/BLA230L - 200/BLA230LREV



PART NR.	PCS	DESCRIPTION
999650	1	Complete motor casing (BLA24S - BLA24L - BLA24LREV)
999651	1	Complete motor casing (BLA230S - BLA230L - BLA230LREV)
999652	1	Rear motor attachment bracket
999653	1	Manual release lever
999654	4	Mechanical travel limits (BLA24S - BLA24L - BLA24LREV - BLA230S - BLA230L)
999655	1	Lock + key
999656	1	Motor covers
999657	1	Worm screw cover (BLA24L - BLA24LREV - BLA230L - BLA230LREV)
999658	1	Worm screw cover (BLA24S - BLA230S)
999659	1	Transmission (BLA24L - BLA230L - BLA24S - BLA230S)
999660	1	Transmission (BLA230LREV)
999661	1	Motor unit 24 Vdc (BLA24S - BLA24L)
999662	1	Motor unit 230 Vac (BLA230S - BLA230L)
999663	1	Capacitor 6,3 µF (BLA230S - BLA230L)
999664	1	Worm screw drive rod (BLA24S - BLA230S)
999665	1	Worm screw drive rod (BLA24L - BLA24LREV - BLA230L)
999675	1	Motor unit 24 Vdc (BLA24LREV)
999676	1	Motor unit 230 Vac (BLA230LREV)
999677	1	Capacitor 10 µF (BLA230LREV)
999680	1	Worm screw drive rod (BLA230LREV)
999681	1	Worm screw chamber (BLA24S - BLA24L - BLA24LREV - BLA230S - BLA230L)
999682	1	Worm screw chamber (BLA230LREV)
999683	1	Transmission (BLA24LREV)
999730	1	Manual release mechanism key
999734	4	Mechanical travel limits (BLA230LREV)