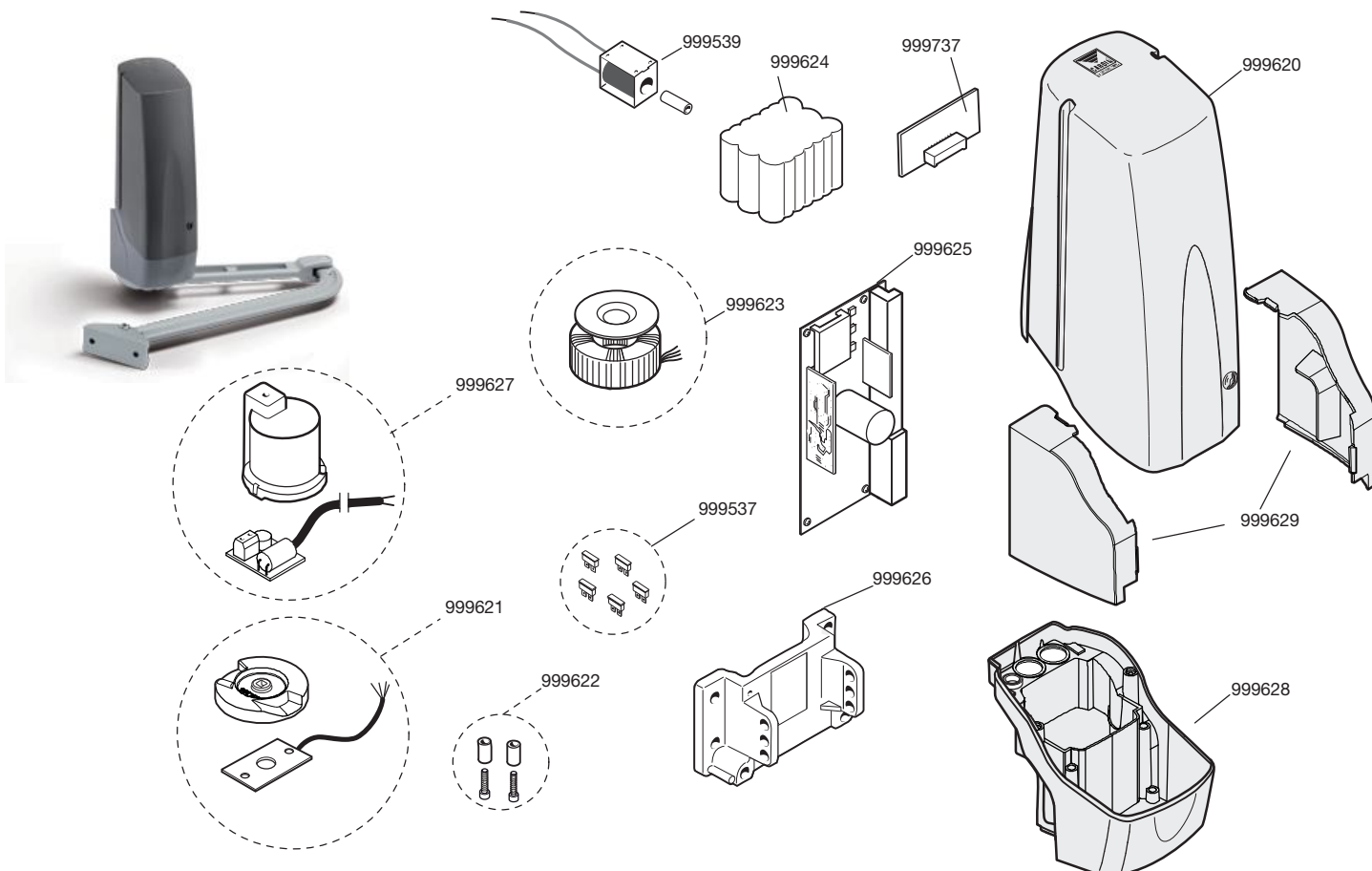


CUSTOMER SERVICE
CARDIN ELETTRONICA

SERIES BL - AUTOMATION FOR HINGED GATES
200/BL824M - 200/BL824S



* To order the Electronic card you must indicate the circuit number printed on the back of the card, as well as the product code e.g.: **999625/ 0000A**

product code circuit code

PART NR.	PCS	DESCRIPTION		
999537	1	Set of 20 fuses 4A - 10A		
999539	1	Electromagnet		
999620	1	Cover		
999621	1	Encoder/Hall sensor		
999622	2	Travel limit ferrules		
999623	1	Transformer ZUT180VA-BL-2		
999624	1	Battery NiMH 24 Vdc		
999625	1	Electronic card with RF module		
999626	1	Wall mounting base plate		
999627	1	Electric lock unit		
999628	1	Lower cover		
999629	1	Side covers (right-left)		
999737	1	Battery charger		