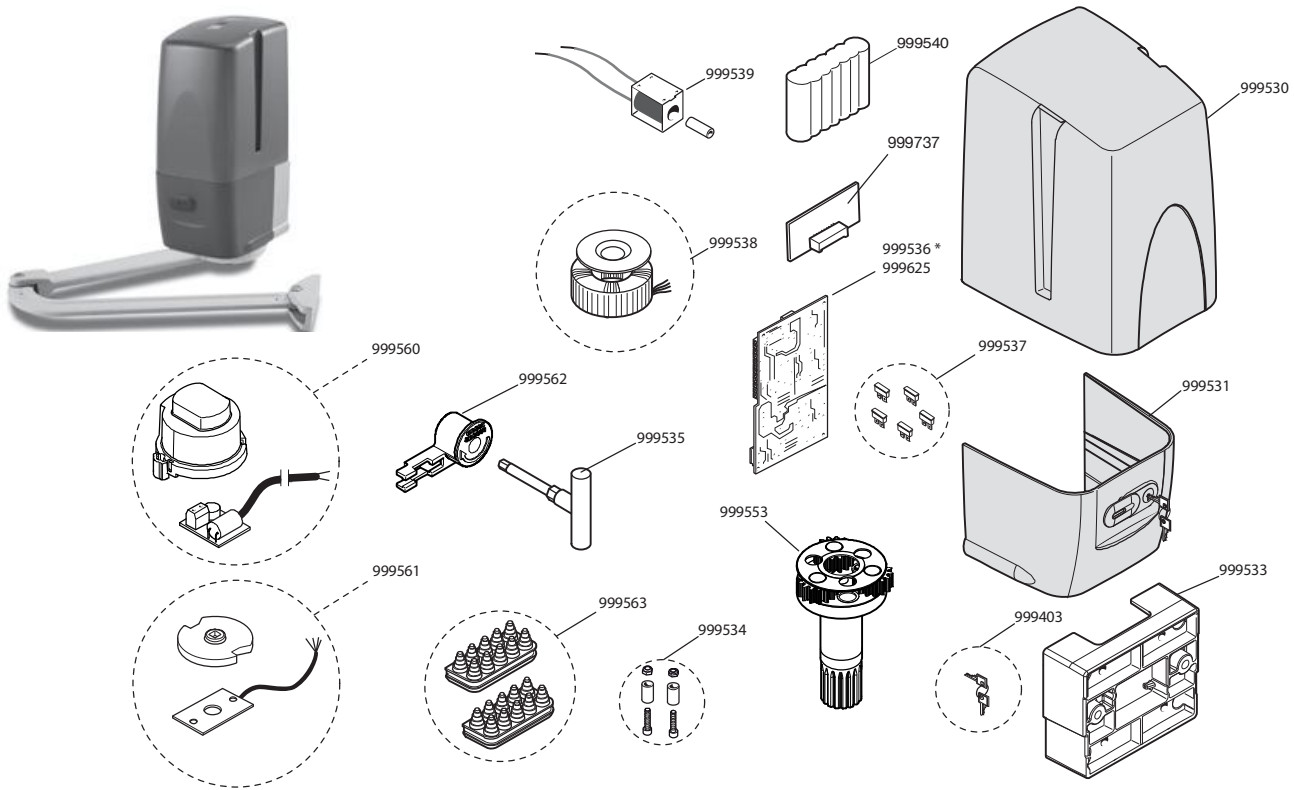


CUSTOMER SERVICE
CARDIN ELETTRONICA

SERIES BL - AUTOMATION FOR HINGED GATES

200/BL3924CSB - 200/BL3924ESB - 200/BL3924SB

200/BL3924CRB - 200/BL3924ERB - 200/BL3924RB



* To order the Electronic card you must indicate the circuit number printed on the back off the card, as well as the product code e.g.:

product code **999536/ 0000A** circuit code

PART NR.	PCS	DESCRIPTION		
999403	1	Manual release key		
999530	1	Cover		
999531	1	Lower cover with lock + 999403		
999533	1	Wall mounting base plate		
999534	2	Travel limit ferrules		
999535	1	Manual release hexagonal key		
999536	1	Programmer with RF module		
999537	1	Set of 20 fuses 4A - 10A		
999538	1	Transformer ZUT180VA-BL		
999539	1	Electromagnet		
999540	1	Battery NiMH 24 Vdc		
999553	1	Gear kit		
999560	1	Electric lock unit		
999561	1	Encoder/Hall sensor		
999562	1	Lock cover		
999563	1	Rubber cable clamp		
999625	1	Programmer with RF module (from January 2016)		
999737	1	Battery charger		