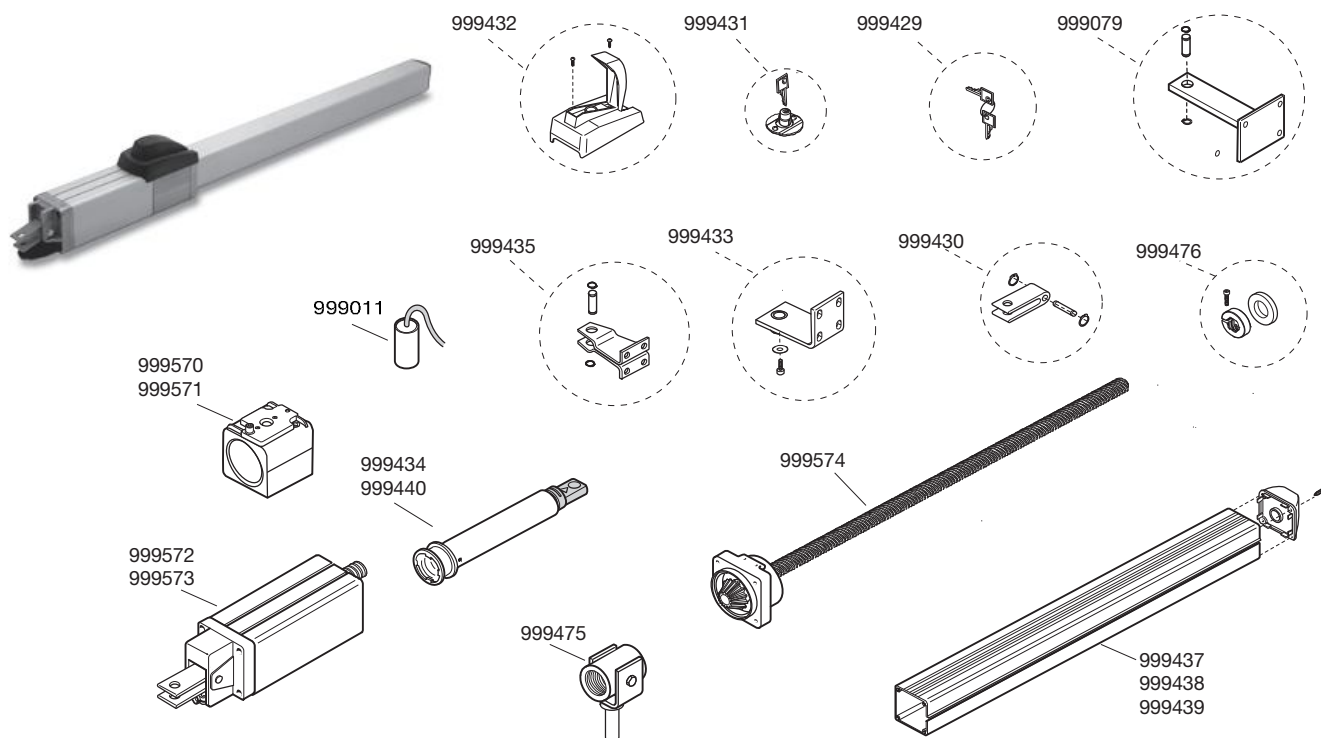


CUSTOMER SERVICE
CARDIN ELETTRONICA

SERIES BL - WORM SCREW AUTOMATION FOR HINGED GATES

200/BL203 - 200/BL203C - 200/BL203L
200/BL2124 - 200/BL2124L - 200/BL2124C



PART NR.	PCS	DESCRIPTION
999011	1	Capacitor 6,3µF-450V (Series BL203 a 230 Vac)
999079	1	Column attachment bracket
999429	1	Manual release mechanism key
999430	1	Rear motor attachment bracket
999431	1	Manual release mechanism lock
999432	1	Manual release mechanism cover
999433	1	Gate attachment bracket (BL203C-BL2124C)
999434	1	Drive rod (BL203-BL2124)
999435	1	Gate attachment bracket (BL203-BL203L - BL2124 -BL2124L)
999437	1	Drive rod cover (BL203-BL2124)
999438	1	Drive rod cover (BL203L-BL2124L)
999439	1	Drive rod cover (BL203C-BL2124C)
999440	1	Drive rod (BL203L-BL2124L)
999475	1	Worm screw chamber (BL203C-BL2124C)
999476	1	Mechanical travel limit ring (BL203C-BL2124C)
999570	1	Gearbox unit (BL203 - BL203C - BL203L)
999571	1	Gearbox unit (BL2124 - BL2124C - BL2124L)
999572	1	Motor unit (BL203 - BL203C - BL203L)
999573	1	Motor unit (BL2124 - BL2124C - BL2124L)
999574	1	Drive rod (BL203C - BL2124C)