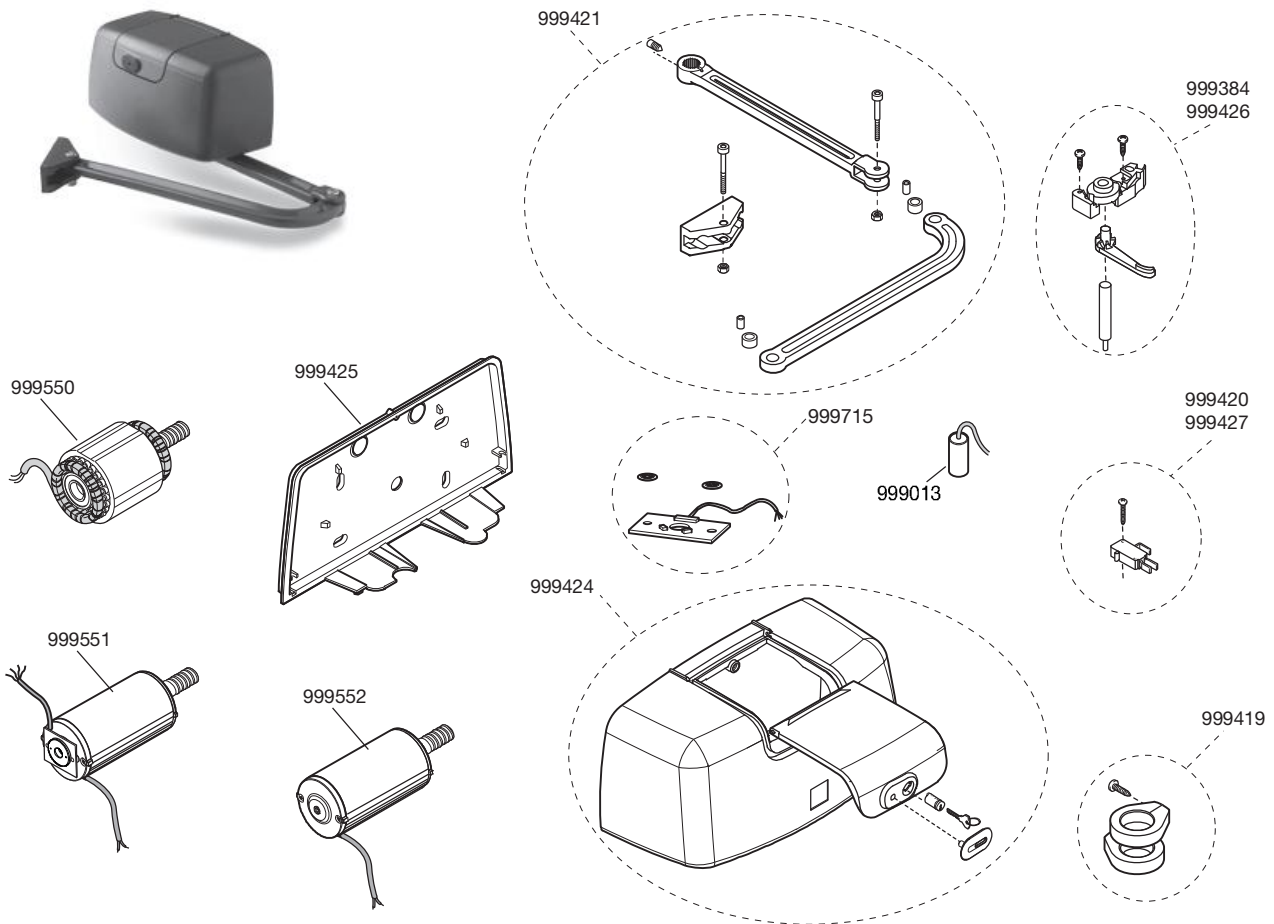


CUSTOMER SERVICE
CARDIN ELETTRONICA

SERIES BL - AUTOMATION FOR HINGED GATES
200/BL1920 - 200/BL1924 - 200/BL1924ASW



PART NR.	PCS	DESCRIPTION
999013	1	Capacitor 10µF-450V (BL1920)
999384	1	Manual release mechanism (BL1920)
999419	2	Cams
999420	1	Travel limit micro-switch (BL1920)
999421	1	Hinged arm
999424	1	Protective case
999425	1	Wall mounting base
999426	1	Manual release mechanism (BL1924-BL1924ASW)
999427	1	Travel limit micro-switch (BL1924)
999550	1	Motor (BL1920)
999551	1	Motor + encoder (BL1924ASW)
999552	1	Motor (from January BL1924)
999715	1	Encoder