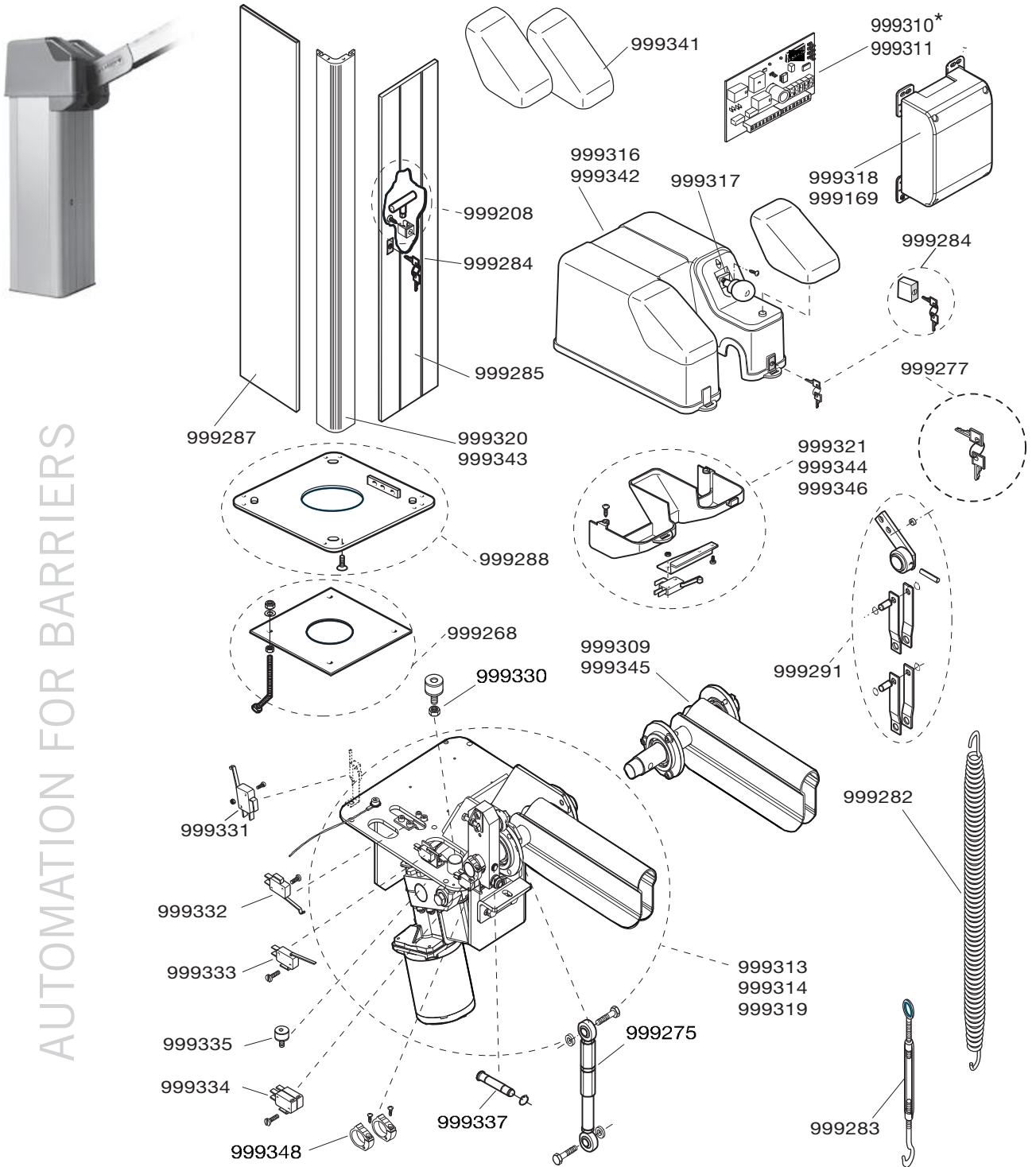


AUTOMATION FOR BARRIERS WITH 3 - 4 m BOOMS

710/EL3424 (YELLOW) - 710/EL3424E (GREY) - 710/EL3424SP (GREY-USA)



* Includes a quartz receiver module 433 MHz (YRF433QFMFP1)

CUSTOMER SERVICE
CARDIN ELETTRONICA

AUTOMATION FOR BARRIERS WITH 3 - 4 m BOOMS

710/EL3424 (YELLOW) - 710/EL3424E (GREY) - 710/EL3424SP (GREY-USA)

PART NR.	PCS	DESCRIPTION
999169	1	Electronic programmer PRG870SP (USA)
999208	1	Manual release mechanism
999268	1	Foundation base plate kit
999275	1	Adjustable tie rod
999277	1	Hood/front panel keys
999282	1	Spring
999283	1	Tightener
999284	1	Lock kit
999285	1	Front panel + 999284
999287	1	Rear/side panel
999288	1	Barrier base plate
999291	1	Spring accessories
999309	1	Boom holder assembly yellow
999310	1	Electronic card YPR870B01
999311	1	Electronic card YPR870B0SP (USA)
999313	1	Complete transmission unit grey (USA)
999314	1	Complete transmission unit grey
999316	1	Yellow hood + red warning lights
999317	1	LED warning light kit
999318	1	Electronic programmer PRG870
999319	1	Complete transmission unit yellow
999320	1	Yellow corner profile
999321	1	Yellow spoiler assembly
999330	3	Rubber boom cushion
999331	1	Micro-switch 16A fast
999332	1	Micro-switch 16A fast
999333	1	Micro-switch 16A fast
999334	1	Micro-switch 16A fast
999335	3	Rubber lever cushion
999337	5	Safety pin
999341	2	Red transparent cover (PC)
999342	1	Grey hood + red warning lights
999343	1	Grey corner profile
999344	1	Grey spoiler assembly
999345	1	Boom holder assembly grey
999346	1	Boom holder assembly grey (USA)
999348	2	Deceleration cams