

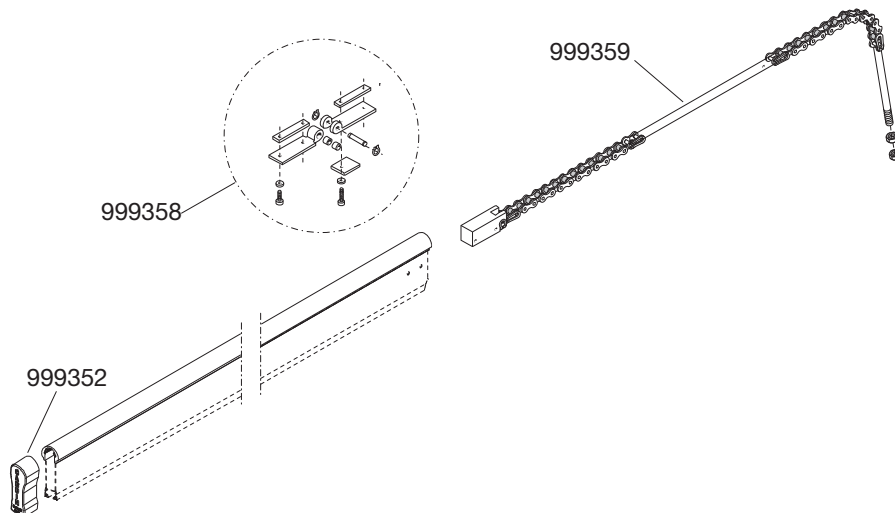
BOOMS FOR 3 - 4 m BARRIERS

716/EL324ASK2 - 716/EL324K2 - 716/EL424K2

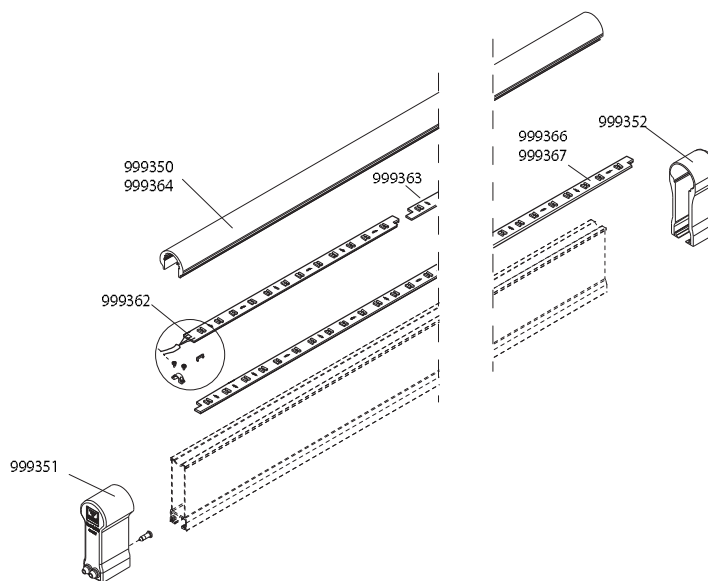
BOOMS FOR BARRIERS



716/EL342ASK2



716/EL324K2 - 716/EL424K2



PART NR. PCS DESCRIPTION

PART NR.	PCS	DESCRIPTION
999350	1	Top cover for 3-meter booms
999351	1	Rear cap
999352	1	Front cap
999358	1	Hinge unit
999359	1	Tie rod unit
999362	1	Led strip base (before October 2013)
999363	1	Led strip expansion (before October 2013)
999364	1	Top cover for 4-meter booms
999366	1	Led strip for EL324K2
999367	1	Led strip for EL424K2