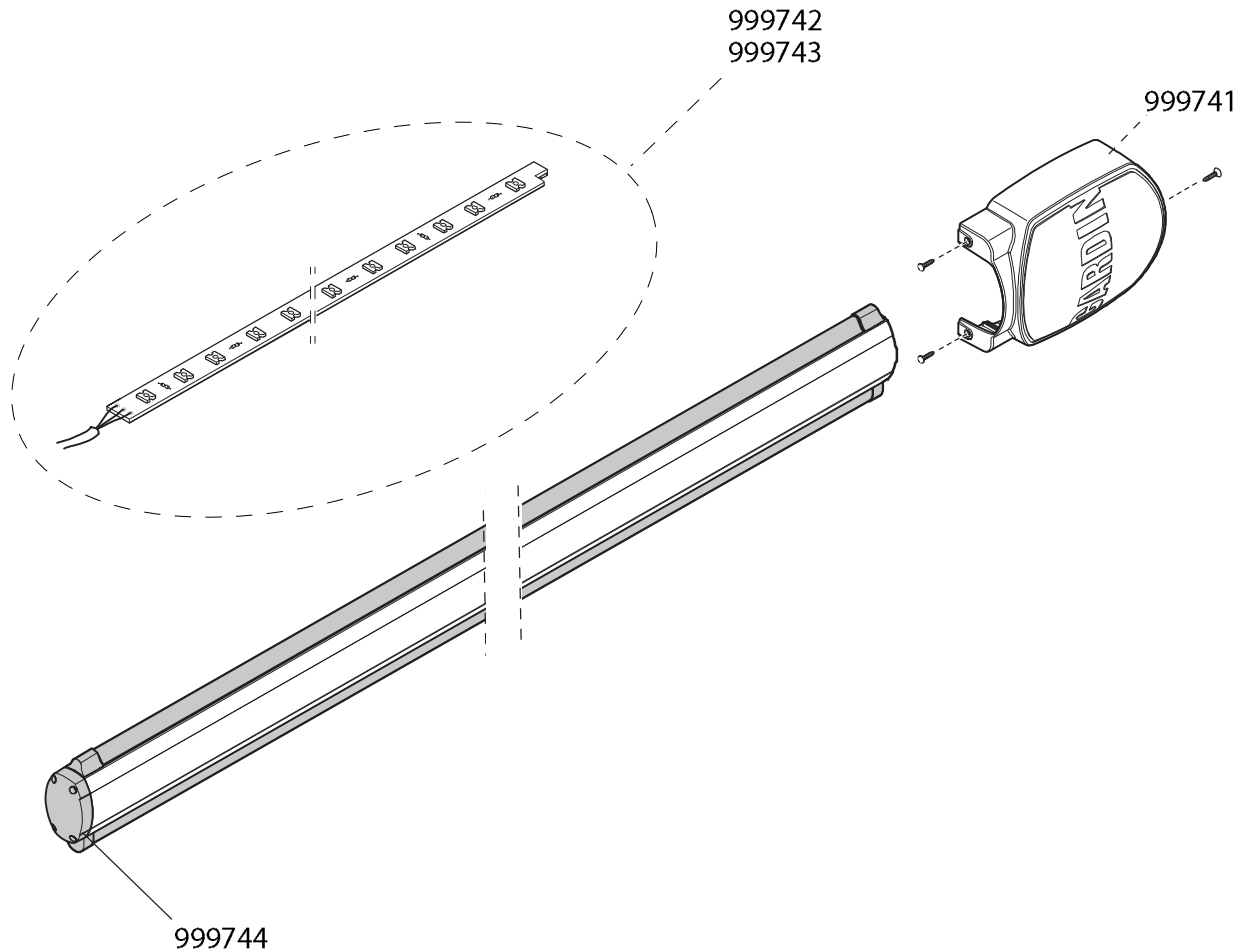


CUSTOMER SERVICE
CARDIN ELETTRONICA

BOOMS FOR 3 - 4 m BARRIERS
716/DOM3 - 716/DOM4

BOOMS FOR 3 - 4 m BARRIERS



PART NR.	PCS	DESCRIPTION
999741	1	Boom holder cover in plastic + screws
999742	1	Strip of led lighting for 3-meter booms
999743	1	Strip of led lighting for 4-meter booms
999744	1	Rear cap + screws