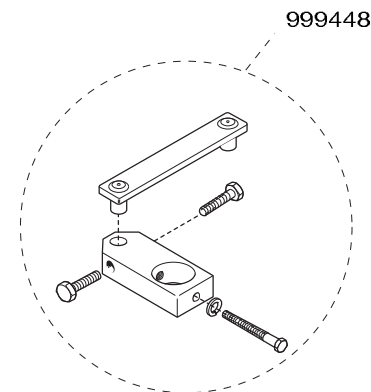
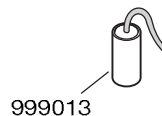
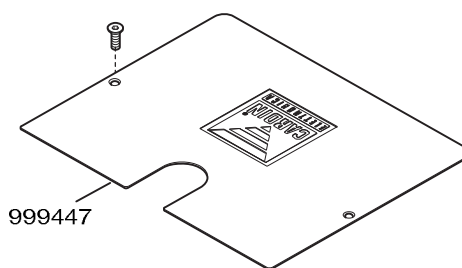
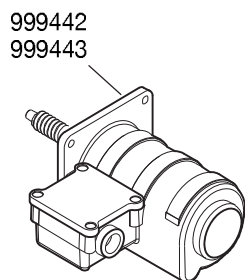
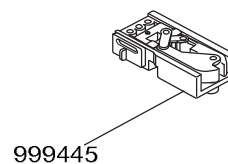
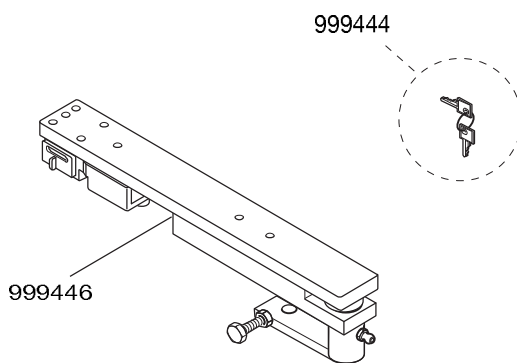
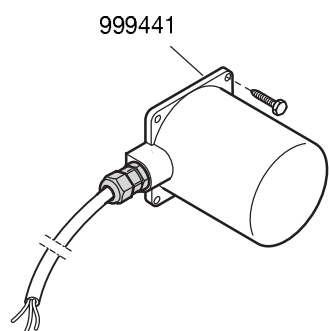


**CUSTOMER SERVICE**  
**CARDIN ELETTRONICA**

**SERIES HL - UNDERGROUND AUTOMATION FOR HINGED GATES**

806/HLCF1 - 800/HL251CL

800/HL2524SB - 800/HL2524ESB



PART NR.	PCS	DESCRIPTION
999013	1	Capacitor 10µF-450V
999441	1	Motor unit 230 Vac (HL251CL)
999442	1	Motor unit 24 Vdc (HL2524SB)
999443	1	Motor unit 24 Vdc (HL2524ESB)
999444	1	Manual release mechanism key
999445	1	Manual release mechanism
999446	1	Transmission lever
999447	1	Stainless steel cover
999448	1	Connecting rod