
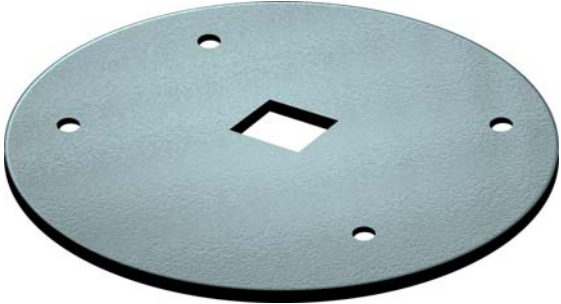
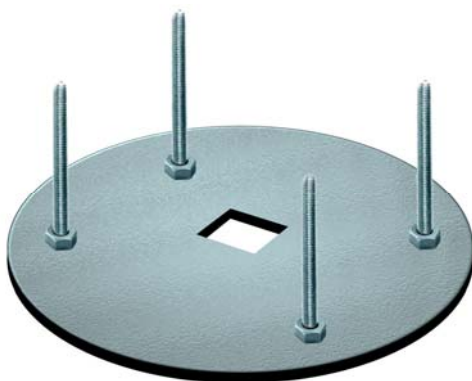


# BA

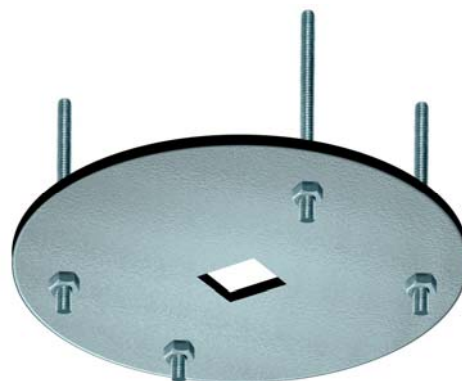
## BASE FOR METALLIC POLE

CONTENT OF PACKAGE	
4 x	
1 x	

1) INSERT THE THREADED BARS INTO THE BASE AND THE NUTS ONTO THE BAR WITHOUT TIGHTEN HARDLY.




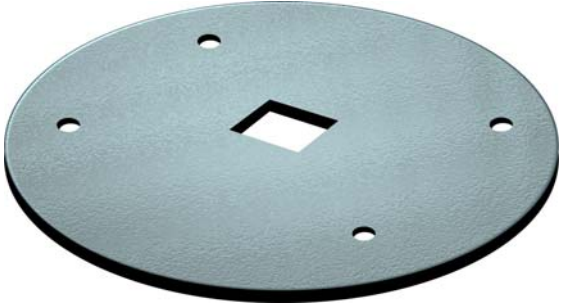
TOP VIEW



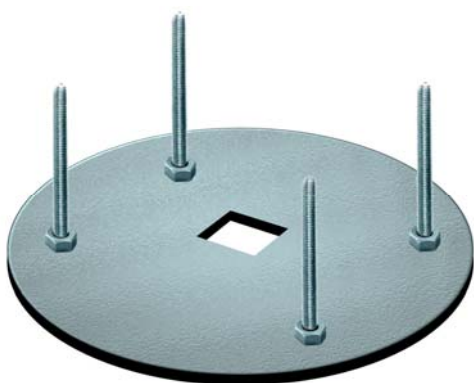
BOTTOM VIEW

# BA

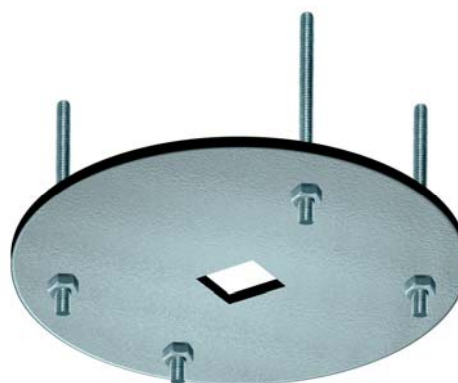
## BASE FOR METALLIC POLE

CONTENT OF PACKAGE	
4 x	
1 x	

1) INSERT THE THREADED BARS INTO THE BASE AND THE NUTS ONTO THE BAR WITHOUT TIGHTEN HARDLY.

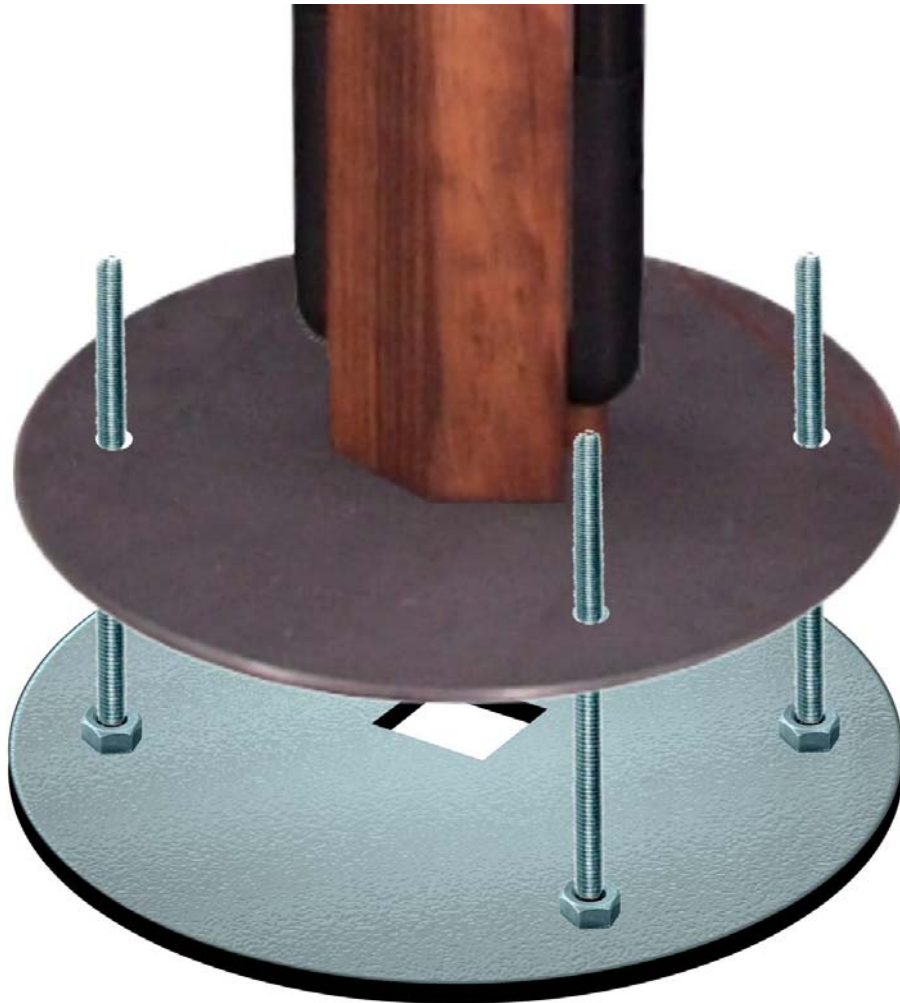


TOP VIEW

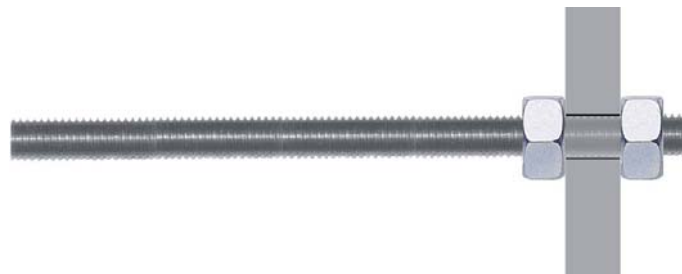


BOTTOM VIEW

2) PLACE THE POLE OVER THE BASE IN ORDER TO ALIGN THE HOLES WITH THE BODY OF THE THREADED BARS.

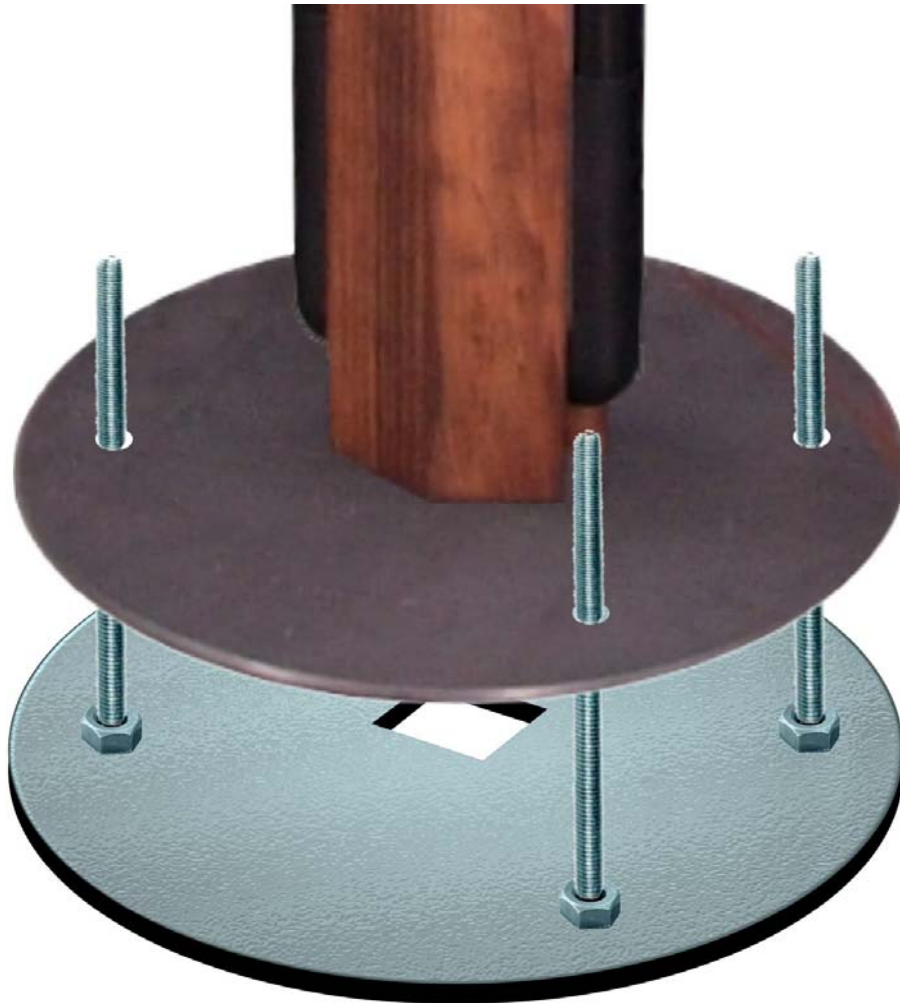


3) TIGHTEN DEFINITELY THE LOCKING NUTS ONTO THE BASE, KEEPING THE POLE IN THE SAME POSITION.

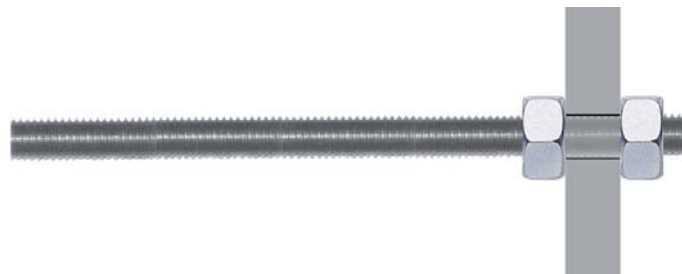


4) NOW YOU CAN PROCEED TO FIX THE BASE UNDER THE CONCRETE.

2) PLACE THE POLE OVER THE BASE IN ORDER TO ALIGN THE HOLES WITH THE BODY OF THE THREADED BARS.



3) TIGHTEN DEFINITELY THE LOCKING NUTS ONTO THE BASE, KEEPING THE POLE IN THE SAME POSITION.



4) NOW YOU CAN PROCEED TO FIX THE BASE UNDER THE CONCRETE.